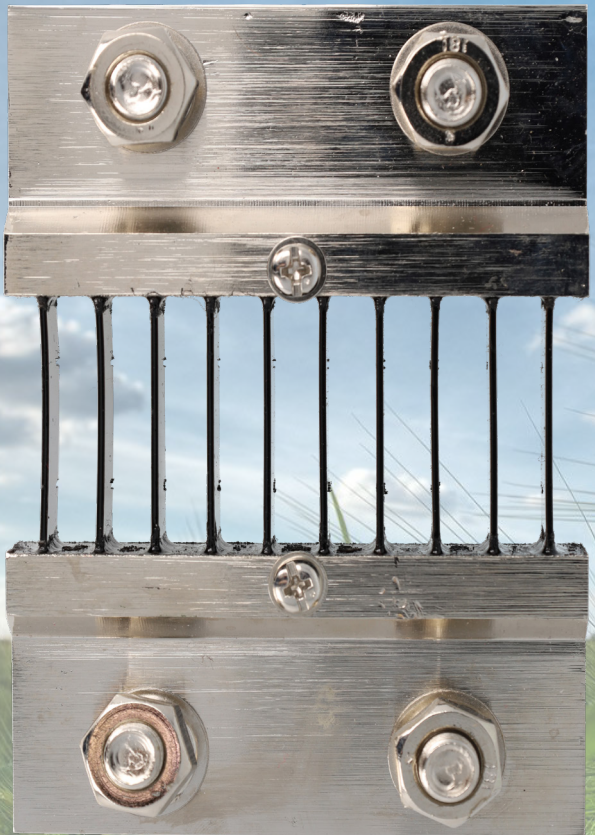
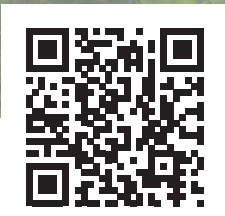


Ambition 4PU-DC Meter

Ensuring accurate energy measurement



Preliminary spec sheet – subject to change



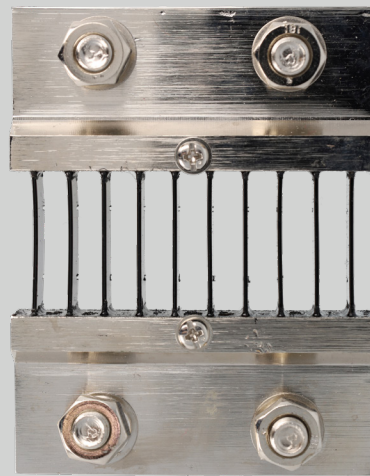
3
YEAR
WARRANTY

Specifications*

- Casing: PC flame resistant plastic
- Voltage Un: 1000V
- Operating temperature range: -40°C - +70°C
- Connection type: DC Meter shunt
- Communication: Modbus RTU
- Accuracy class: 1/B
- AC power supply: 230V
- Connection technology: WAGO Push-in CAGE CLAMP®
- Imax: 1000A
- Ib (basic current): 200A
- Imin (minimum current): 10A

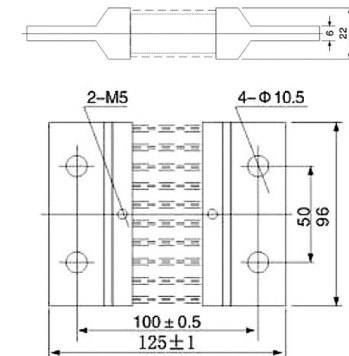
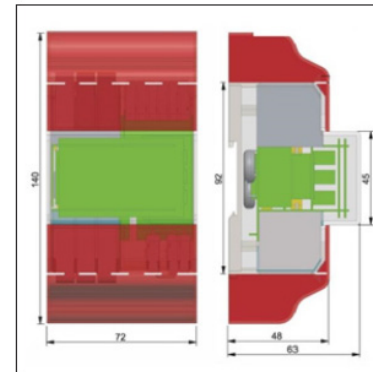
Note:

The Ambition 4PU-DC Meter and the Shunt are connected by serial number and are calibrated together.



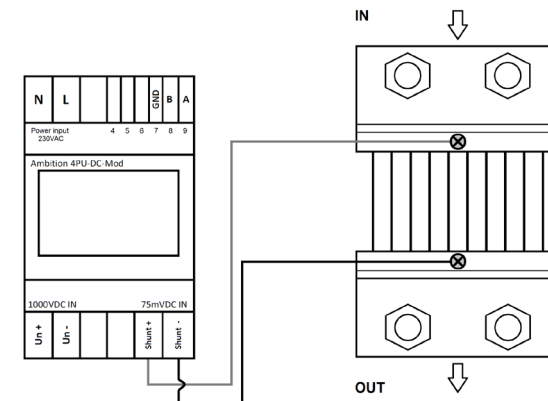
Dimensions

- Height without protection cover: 92 mm
- Height: 140 mm
- Width: 72 mm
- Depth: 63 mm
- Weight: 260 gr



Connection diagram

Shunt connection is used for current measurement. The Shunt will be supplied with the meter.



* Preliminary spec sheet – subject to change